

WeedSeeker®

Model 650 & PhD600

PARTS
CATALOG

PATCHEN™

1147 North State Street

Ukiah, CA 95482

Toll Free: 1-888-PATCHEN (728-2436)

☎ 707-467-3747 FAX 707-467-3750

e-mail: info@weedseeker.com

www.weedseeker.com

500-1-020

06/00

Rev. C

(THIS PAGE PURPOSELY LEFT BLANK)

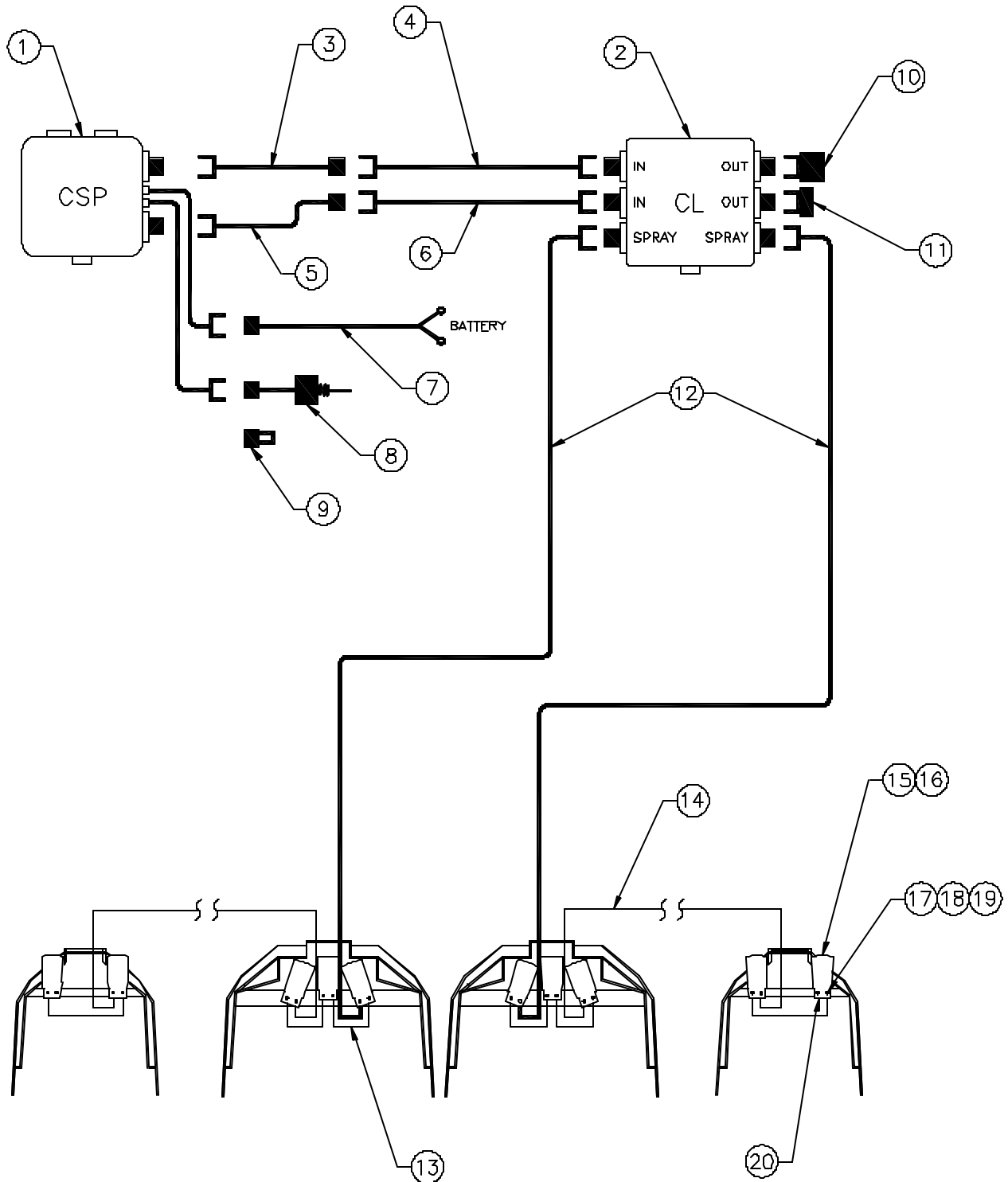
Table of Contents

| | Page |
|------------------------------------|------|
| Electronic, Row Crop Systems | 4 |
| Electronic, Permanent Crop Systems | 6 |
| WeedSeeker [®] Sensor | 8 |
| Valve Cartridge (VC01) | 10 |
| Row Crop Hoods | 12 |
| Plumbing, Row Crop Systems | 14 |
| Plumbing, Permanent Crop Systems | 16 |
| Warranty Information | 18 |

Document Part Numbers

| | |
|-----------------------------------|-----------|
| Installation and Operation Manual | 500-1-018 |
| Troubleshooting Manual | 500-1-019 |
| Parts Catalog | 500-1-020 |

Electronic, Row Crop Systems, Drawing

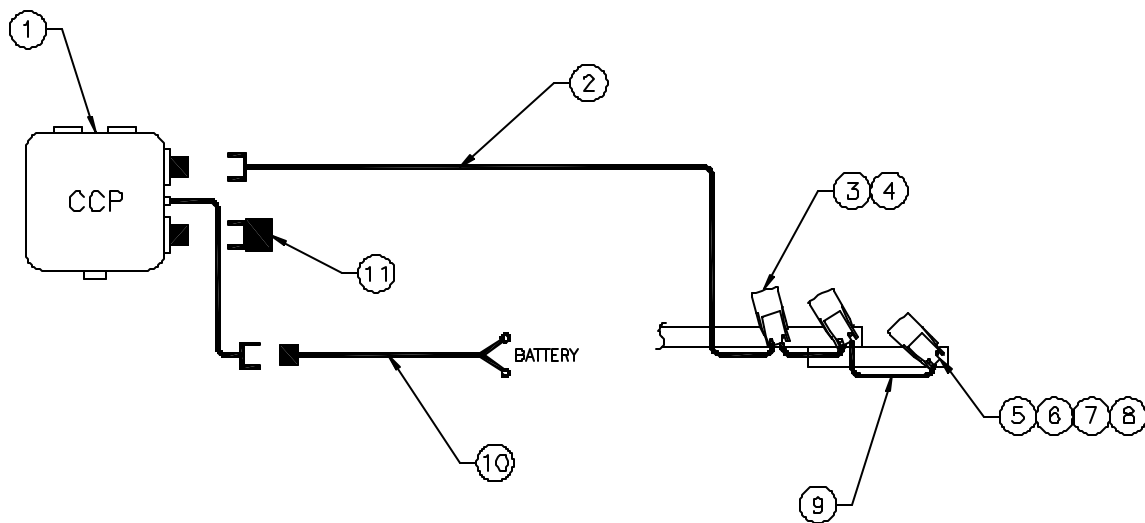


Electronic, Row Crop Systems, Bill of Materials

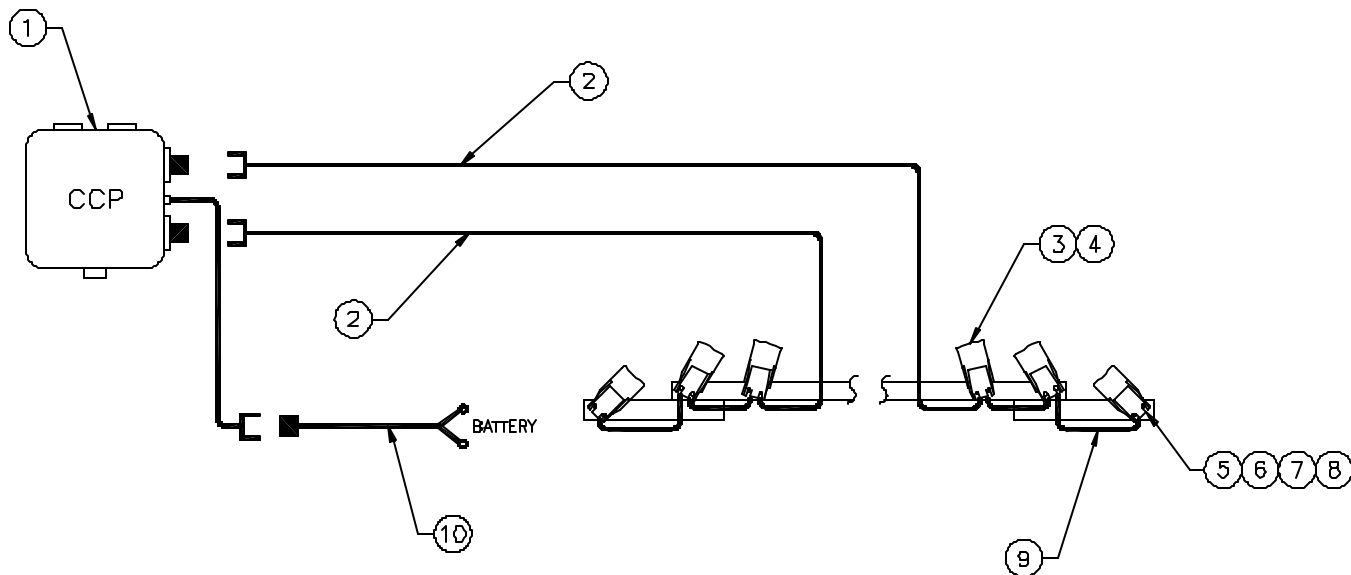
| Item | Part Number | Part Name | Qty |
|------|--------------|---|-----|
| 1 | 900-1-024 | Control Switch Panel (CSP) | 1 |
| 2 | 900-1-026 | Controller Logic (CL) | A/R |
| 3 | 400-1-046-01 | Cable, Power - CSP to Disconnect, 5 feet | 1 |
| 4 | 400-1-047-01 | Cable, Power - CL to Disconnect, 15 feet | A/R |
| | 400-1-060-01 | Cable, Power - CL to Disconnect, 10 feet | A/R |
| 5 | 400-1-052-01 | Cable, Signal - CSP to Disconnect, 5 feet | 1 |
| 6 | 400-1-059-01 | Cable, Signal - CL to Disconnect, 15 feet | A/R |
| | 400-1-077-01 | Cable, Signal - CL to Disconnect, 10 feet | A/R |
| 7 | 400-1-065-01 | Cable, Battery - 5 1/2 feet | 1 |
| 8 | 310-1-011 | Switch, Lift | 1 |
| 9 | 400-1-073-01 | Cable, Lift Switch Short (Cable Terminator) | 1 |
| 10 | 010-1-115 | Cap, Shroud | 1 |
| 11 | 300-3-003 | Cap, Connector | 1 |
| 12 | 400-1-049-01 | Cable, Controller - CL to Sensor, 6 feet | A/R |
| 13 | 400-1-025-20 | Cable, Sensor to Sensor - 20 inches, Daisy | A/R |
| 14 | 400-1-038-01 | Cable, Sensor to Sensor - 9 feet, Daisy | A/R |
| 15 | 900-1-010 | <i>WeedSeeker</i> [®] Sensor | A/R |
| 16 | 900-1-005 | Valve Cartridge (VC01) | A/R |
| 17 | 350-1-032 | Bolt - 5/16 - 18 x 2" | A/R |
| 18 | 350-2-009 | Washer, Lock - 5/16" | A/R |
| 19 | 350-3-005 | Nut, Square - 5/16 - 18 | A/R |
| 20 | 350-6-020 | Sensor Plug, Nylon | A/R |

Electronic, Permanent Crop Systems, Drawing

SINGLE BOOM



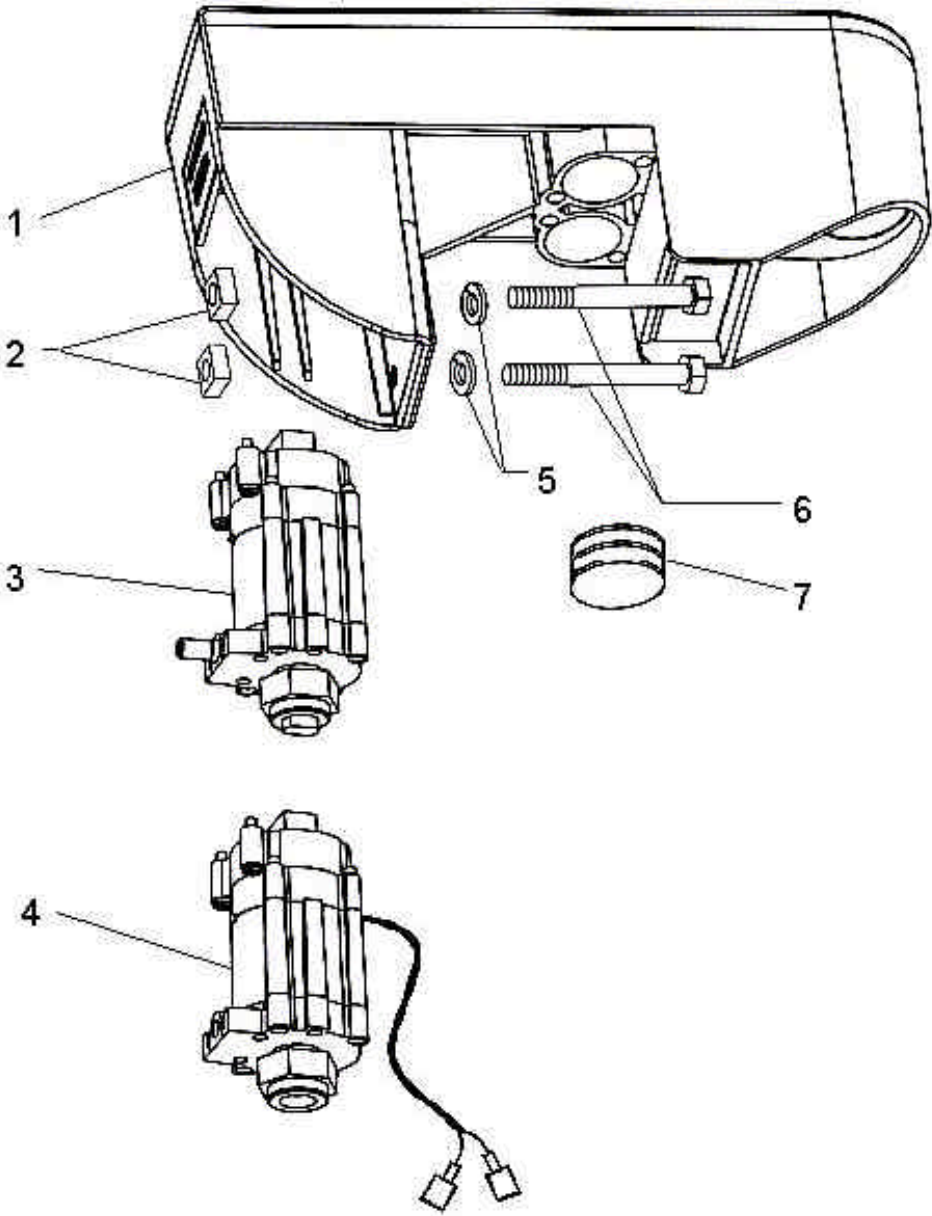
DOUBLE BOOM



Electronic, Permanent Crop Systems, Bill of Materials

| Item | Part Number | Part Name | Single Boom Qty | Double Boom Qty |
|------|--------------|--|-----------------|-----------------|
| 1 | 900-1-029 | Controller (CCP) | 1 | 1 |
| 2 | 400-1-072-01 | Cable, Controller - 12 feet | 1 | 2 |
| | 400-1-074-01 | Cable, Controller - 16 feet | 1 | 2 |
| | 400-1-075-01 | Cable, Controller - 22 feet | 1 | 2 |
| 3 | 900-1-010 | WeedSeeker [®] Sensor | A/R | A/R |
| 4 | 900-1-005 | Valve Cartridge (VC01) | 1 | A/R |
| 5 | 350-1-034 | Bolt - 5/16 - 18 x 2 3/4" | A/R | A/R |
| 6 | 350-2-009 | Washer, Lock - 5/16" | A/R | A/R |
| 7 | 350-3-005 | Nut, Square - 5/16"-18 | A/R | A/R |
| 8 | 350-6-022 | Sensor Plug, Nylon | 1 | 2 |
| 9 | 400-1-025-20 | Cable, Sensor to Sensor - 20 inches, Daisy | A/R | A/R |
| 10 | 400-1-065-01 | Cable, Battery - 5 1/2 feet | 1 | A/R |
| 11 | 010-1-115 | Cap, Shroud | 1 | N/A |

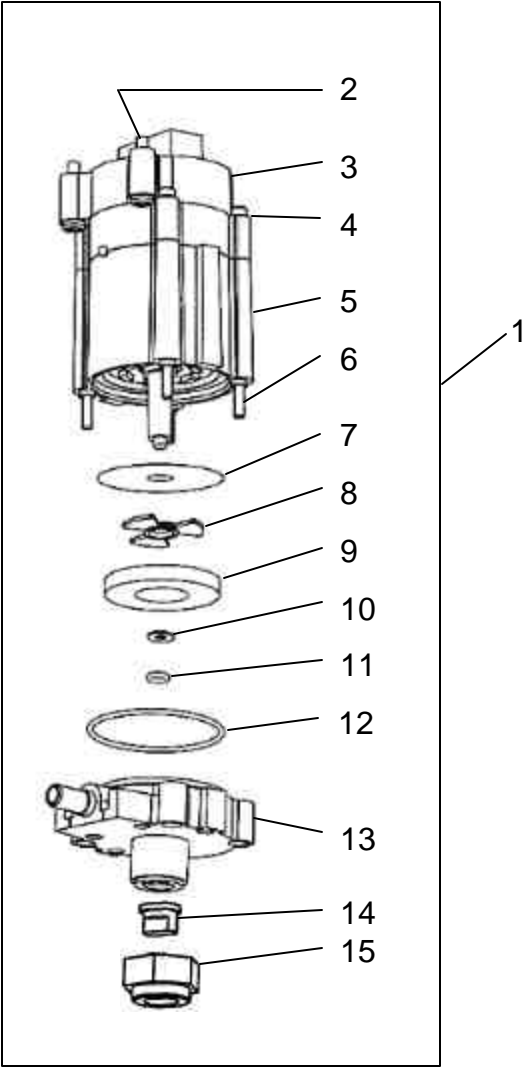
WeedSeeker[®] Sensor, Drawing



WeedSeeker[®] Sensor, Bill of Materials

| Item | Part Number | Part Name | Qty |
|------|-------------|--|-----|
| 1 | 900-1-010 | WeedSeeker [®] Sensor Model 650 | A/R |
| 2 | 350-3-005 | Nut, Square - 5/16" | A/R |
| 3 | 900-1-005 | Valve Cartridge (VC01) | A/R |
| 4 | 900-1-028 | Valve Driver Cartridge (VDC05) | A/R |
| 5 | 350-2-009 | Washer, Lock - 5/16" | A/R |
| 6 | 350-1-034 | Bolt - 5/16" x 2 3/4" (permanent crop systems) | A/R |
| | 350-1-032 | Bolt - 5/16" x 2" (row crop systems) | A/R |
| 7 | 350-6-022 | Sensor Plug, Nylon | A/R |

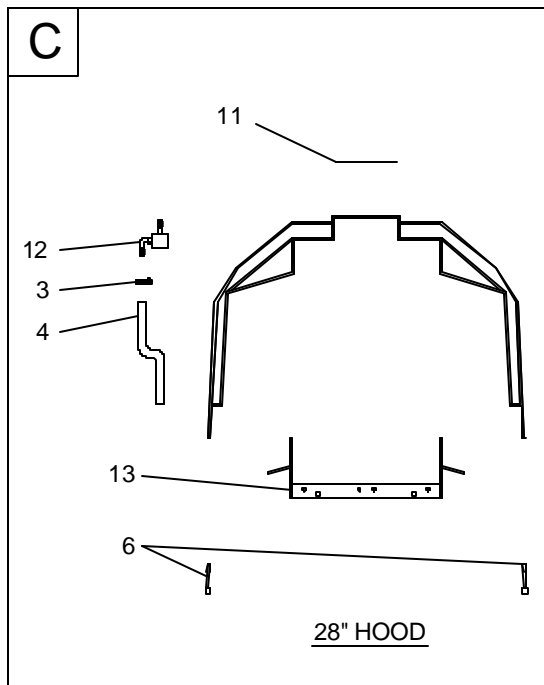
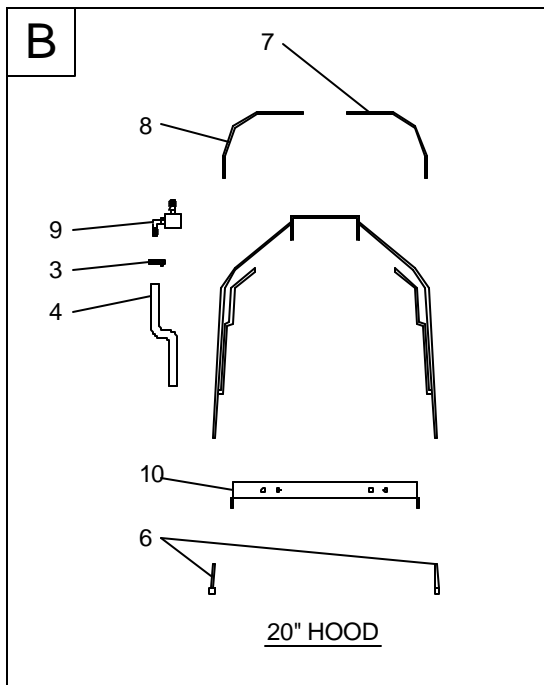
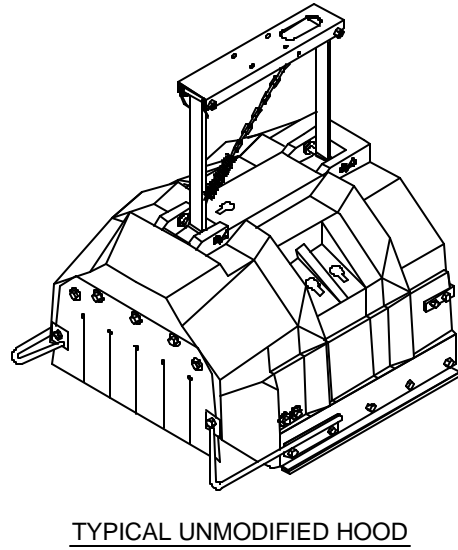
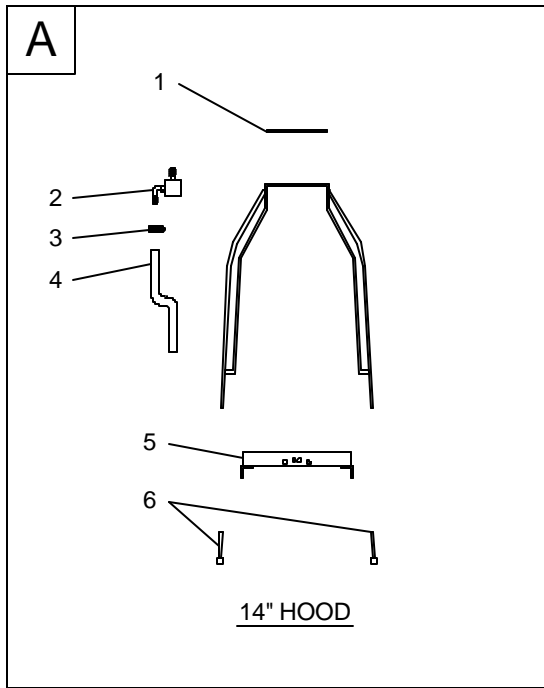
Valve Cartridge (VC01), Drawing



Valve Cartridge (VC01), Bill of Materials

| Item | Part Number | Part Name | Qty |
|------|-------------|---|-----|
| 1 | 900-1-005 | Valve Cartridge (VC01) | A/R |
| 2 | 350-1-038 | Screw, Captive - #6 x 3/4" | 2 |
| 3 | 010-1-081 | Lid Assembly (not available) | 1 |
| 4 | 350-2-004 | Washer, Lock - #4 | 4 |
| 5 | 010-1-082 | Body | 1 |
| 6 | 350-1-037 | Screw - 4-40 x 2.5" | 4 |
| 7 | 010-1-089 | Filter Disk | 1 |
| 8 | 010-1-085 | Spacer | 1 |
| 9 | 330-1-002 | Magnet | 1 |
| 10 | 350-2-013 | Washer | 1 |
| 11 | 350-4-022 | O-ring, Small - 007-S-70 | 1 |
| 12 | 350-4-021 | O-ring, Large - 028-S-70 | 1 |
| 13 | 010-1-083 | Base | 1 |
| 14 | 350-5-023 | Nozzle Tip - 6502 | 1 |
| 15 | 350-5-022 | Nozzle Cap - 8027-NYB | 1 |
| | 900-1-013 | VC01 Refurbishment Kit Includes Items # 7, 10, 11, 12 (not shown) | A/R |

Row Crop Hoods, Drawing

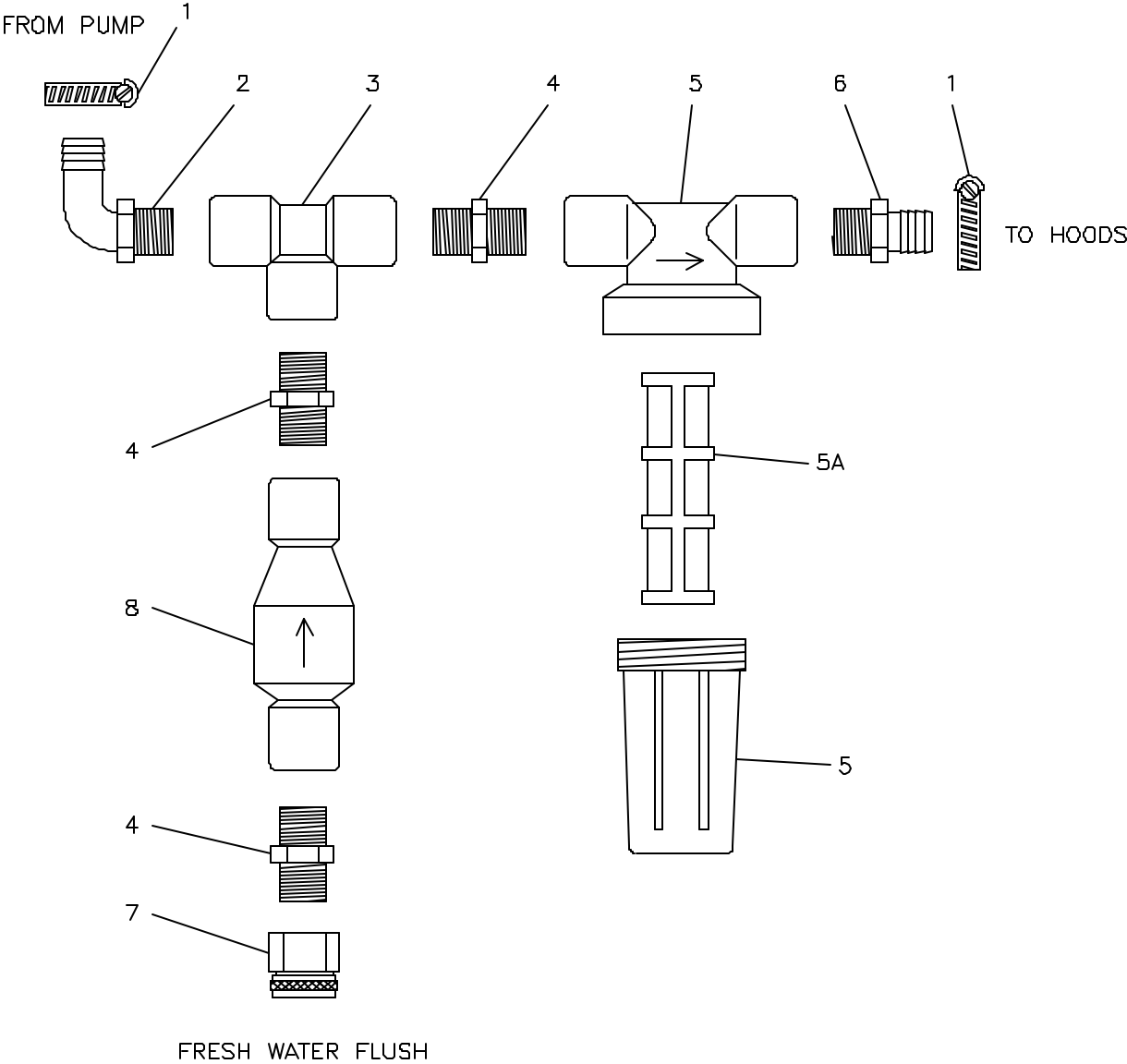


Row Crop Hoods, Parts List

| Item | Part Number | Part Name | 28" Hood Qty | 20" Hood Qty | 14" Hood Qty |
|------|-------------|--|--------------------|--------------------|--------------------|
| 1 | 850-1-057 | Cover, 14" Hood | N/A | N/A | 1 |
| 2 | 850-1-054 | Manifold, 14 inch hood | N/A | N/A | 1 |
| 3 | 360-2-003 | Clamp, Hose – 1/4" | 4 | 3 | 2 |
| 4 | 360-2-009 | Hose – 1/4" ID, 12" | 3 | 2 | 1 |
| 5 | 850-1-058 | Internal Mounting Frame, 14" Hood | N/A | N/A | 1 |
| 6 | 850-1-020 | Skid, Wear Slide –Patchen | 2 | 2 | 2 |
| 7 | 850-1-024 | Cover, 20" Hood, Right Side | N/A | 1 | N/A |
| 8 | 850-1-023 | Cover, 20" Hood, Left Side | N/A | 1 | N/A |
| 9 | 850-1-055 | Manifold, 20 inch hood | N/A | 1 | N/A |
| 10 | 850-1-061 | Internal Mounting Frame, 20" Hood | N/A | 1 | N/A |
| 11 | 850-1-062 | Cover, 28" Hood | 1 | N/A | N/A |
| 12 | 850-1-056 | Manifold, 28 inch hood | 1 | N/A | N/A |
| 13 | 850-1-063 | Internal Mounting Frame, 28" Hood | 1 | N/A | N/A |
| * | | Screw - #10, Self Tapping, (Covers) | 8 | 10 | 4 |
| * | | Bolt, Hex – 5/16" x 1", (Frame) | 6 | 4 | 4 |
| * | | Washer, Flat – 5/16", (Frame) | 6 | 4 | 4 |
| * | | Nut, Lock – 5/16", Nylon Insert, (Frame) | 6 | 4 | 4 |
| * | | Bolt – 1/4" x 1", GR2, (Skid Hardware) | 4 | 4 | 4 |
| * | | Washer, Fender – 1/4" (Skid Hardware) | 6 | 6 | 6 |
| * | | Bolt – 1/4" x 3/4", GR2 (Skid Hardware) | 6 | 6 | 6 |
| * | | Nut, Lock – 1/4", Nylon Insert | 10 | 10 | 10 |
| A | 850-1-003 | Complete 14" Hood | | | |
| B | 850-1-004 | Complete 20" Hood | | | |
| C | 850-1-005 | Complete 28" Hood | | | |

* Not shown

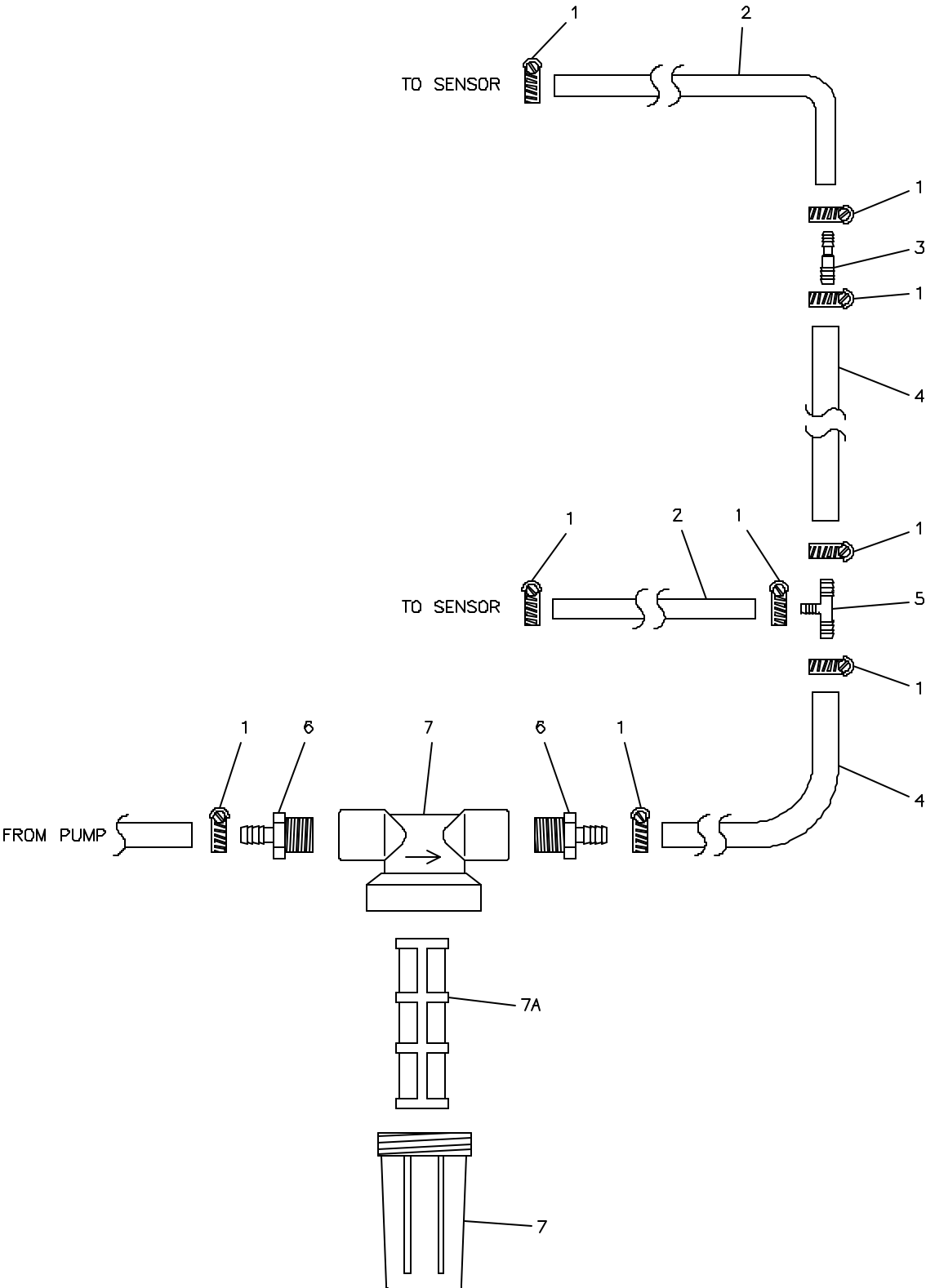
Plumbing, Row Crop Systems Drawing



Plumbing, Row Crop Systems, Bill of Materials

| Item | Part Number | Part Name | With Tank & Pump |
|------|-------------|--|------------------|
| 1 | 360-2-010 | Clamp, Hose - 3/4", SS Band | 2 |
| 2 | 360-1-102 | Fitting, Hose, Ell - 3/4" NPTM X 3/4" HB | 1 |
| 3 | 360-1-104 | Tee, 3/4", NPTF | 1 |
| 4 | 360-1-105 | Nipple, Close - 3/4" NPTM | 3 |
| 5 | 360-1-026 | Strainer, Tee - 3/4", w/200 Mesh Screen | 1 |
| 5A | 360-1-110 | Screen, 200 Mesh | 1 |
| 6 | 360-1-103 | Fitting, Hose - 3/4", NPTM X 3/4" HB | 1 |
| 7 | 360-1-107 | Swivel - 3/4", NPTF X 3/4" GHTF | 1 |
| 8 | 360-1-108 | Valve, Check - 3/4" NPTF | 1 |
| | 370-2-003 | Tie Wrap - 20", Black, not shown | 2 |

Plumbing, Permanent Crop Systems, Drawing



Plumbing, Permanent Crop Systems, Bill of Materials

| Item | Part Number | Part Name | Qty |
|------|-------------|---|-----|
| 1 | 360-2-003 | Clamp, Hose - 1/4" | A/R |
| 2 | 360-2-009 | Hose - 1/4" x 18" | A/R |
| 3 | 360-1-003 | Hose Barb Union - 3/8" x 1/4" | A/R |
| 4 | 360-2-008 | Hose - 3/8" | 20' |
| 5 | 360-1-004 | Hose Barb Comb Tee - 3/8" x 3/8" x 1/4" | A/R |
| 6 | 360-1-109 | Hose Barb, 3/4" NPTM X 3/8" HB | 2 |
| 7 | 360-1-026 | Strainer, Tee - 3/4" w/200 Mesh Screen | 1 |
| 7A | 360-1-110 | Screen, 200 Mesh | 1 |

WARRANTY STATEMENT

1. PATCHEN, INC. (PATCHEN) warrants each new product to be free from defects in material and workmanship for a period of **one (1) year from date of retail sale** established by the use of Patchen's Warranty Registration form. The obligations of PATCHEN under this warranty are limited to the repair or replacement, at PATCHEN's option, of defective parts of the product, which shall within one year from date of retail sale, be returned to PATCHEN, Ukiah, California, transportation charges prepaid. PATCHEN reserves the right to determine whether or not a defect exists for which it is responsible under this warranty.
2. This warranty is void if the product has not been installed or maintained in accordance with PATCHEN's instructions, been subjected to damage in an accident, abused or neglected during operation, repaired, altered or modified by persons other than PATCHEN's assigned service personnel, or failed to have normal maintenance as recommended in our Operator's Manual.
3. This warranty is exclusively limited to repair or replacement at PATCHEN's option, of product found to be defective. Labor charges, transportation charges, and consequential damages are not covered by this warranty. Further, PATCHEN disclaims any liability for any incidental damages, including lost or duplicated time or expense, accruing for any reason to the owner or user of any products sold by PATCHEN.
4. Because of our continuing policy of product improvement, PATCHEN reserves the right to make changes in its products without incurring any obligation to incorporate such improvements in any products previously sold or in service.
5. The foregoing warranty is exclusive and in lieu of all other express, statutory, and implied warranties including those of merchantability and fitness for any particular purpose or use.

APPLICATION OF WARRANTY

To make a claim under warranty, the customer must contact PATCHEN giving a description of the product and request instructions. **MERCHANDISE MUST NOT BE RETURNED TO PATCHEN UNTIL A RETURNED MATERIAL AUTHORIZATION (RMA) NUMBER IS ISSUED. EVIDENCE OF ORIGINAL PURCHASE MUST ACCOMPANY RETURN.**

Rev. 05/04/99